

TRACK CURVING TEMPLATE

See "Horizontal, Vertical and Compound Curves" Data sheet to help identify what type of curve you require

CUSTOMER: _____

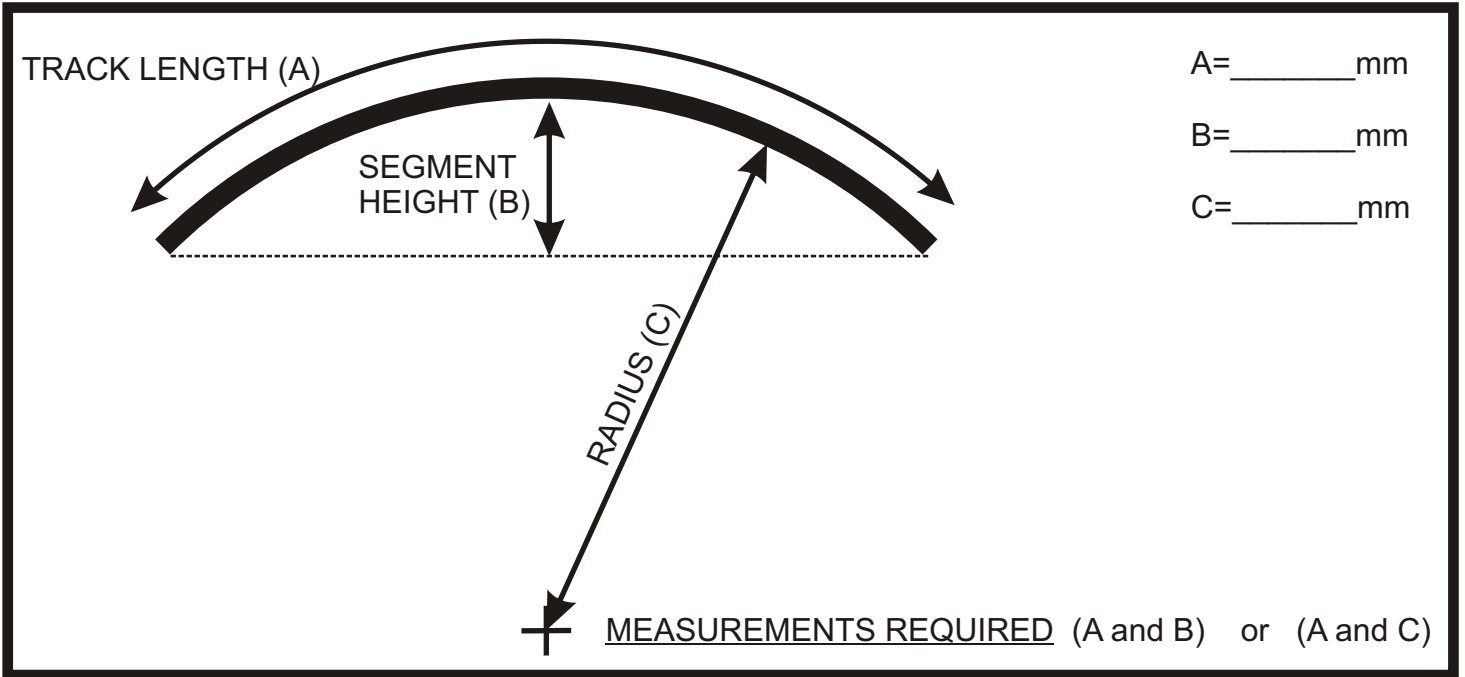
ADDRESS: _____

P/LIST NO: _____

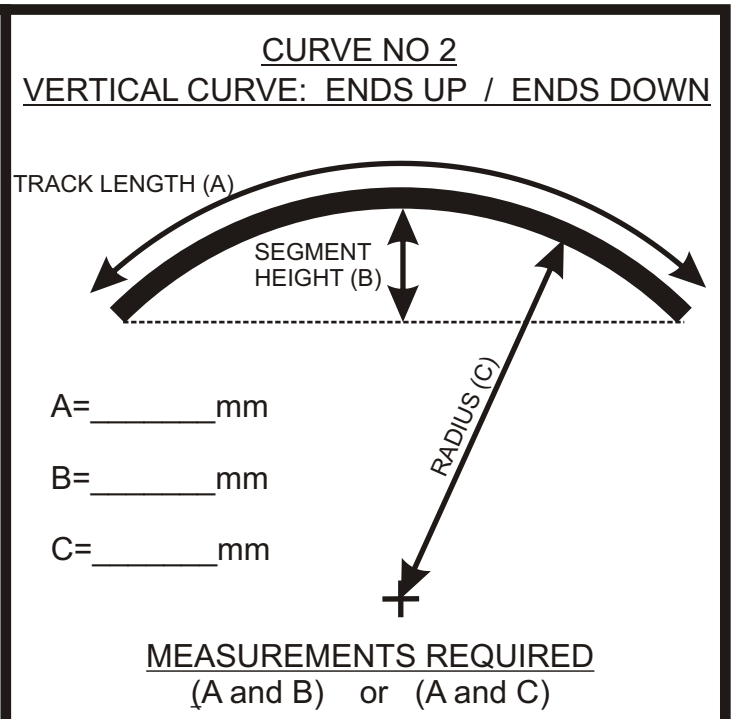
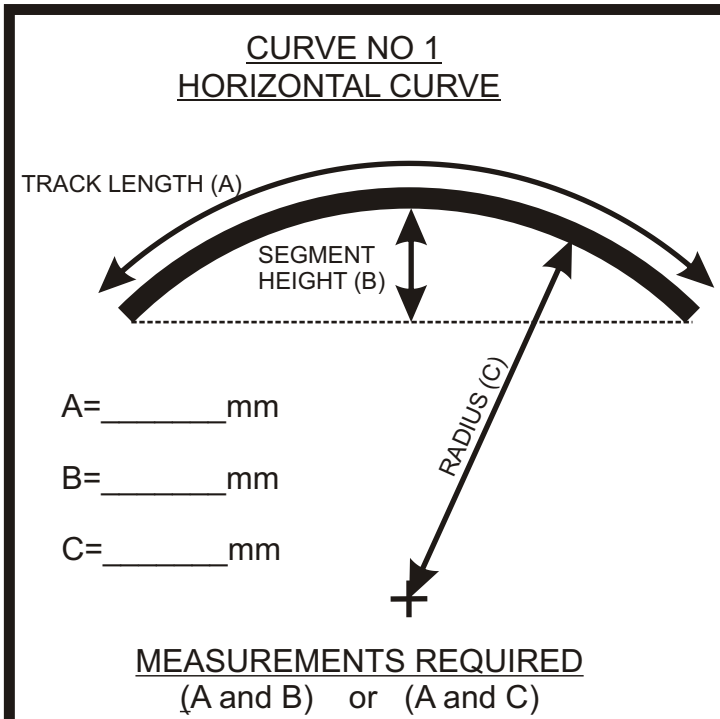
PART NO: _____

DATE: _____

TYPE OF CURVE HORIZONTAL VERTICAL ENDS UP VERTICAL ENDS DOWN



TYPE OF CURVE COMPOUND



See "Track Curving Specifications" for Maximum segment Height and Minimum Radius