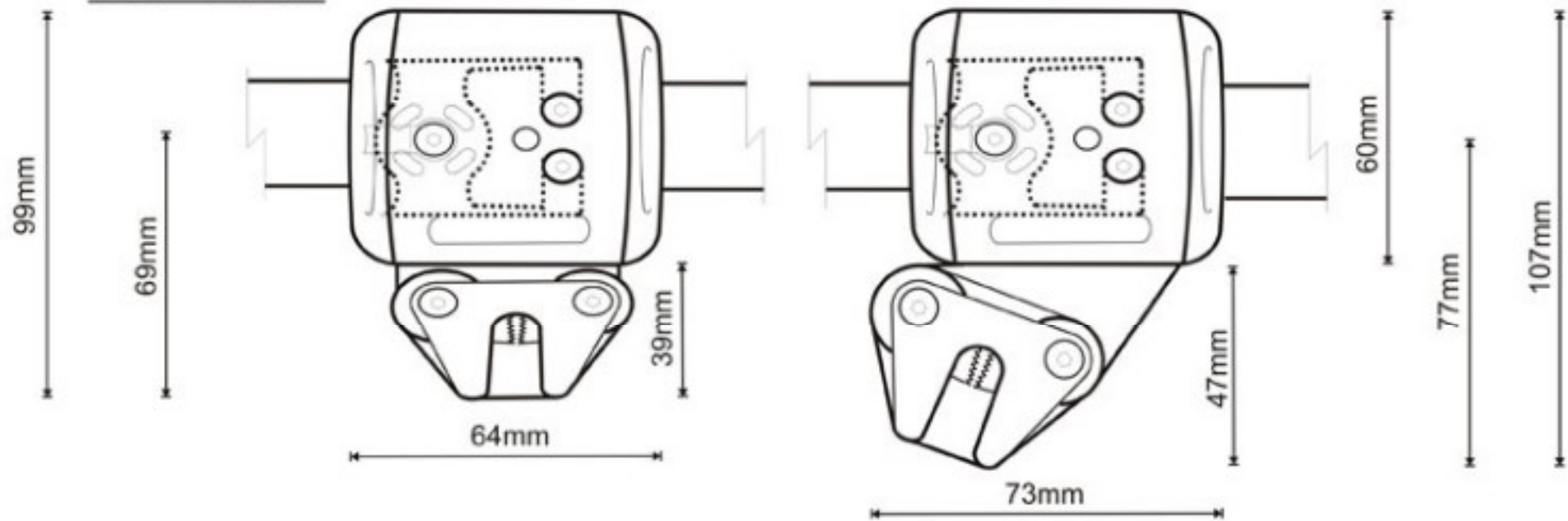
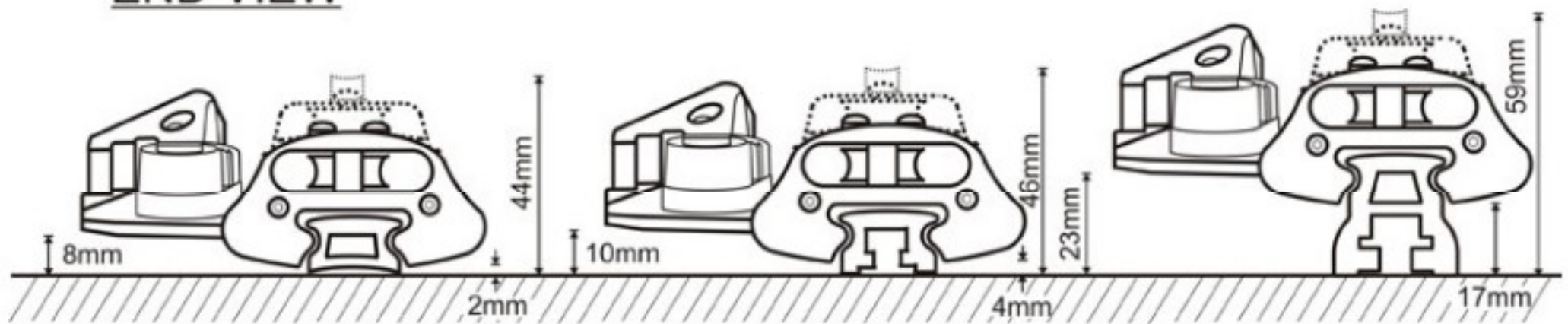


SIZE 1 (20000) END FITTING CENTRE LINE DRAWING

TOP VIEW



END VIEW



DRILLED

SLIDING BOLT

BEAM